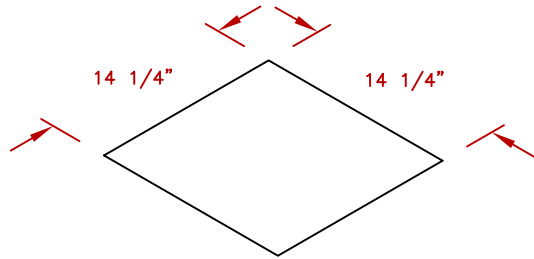
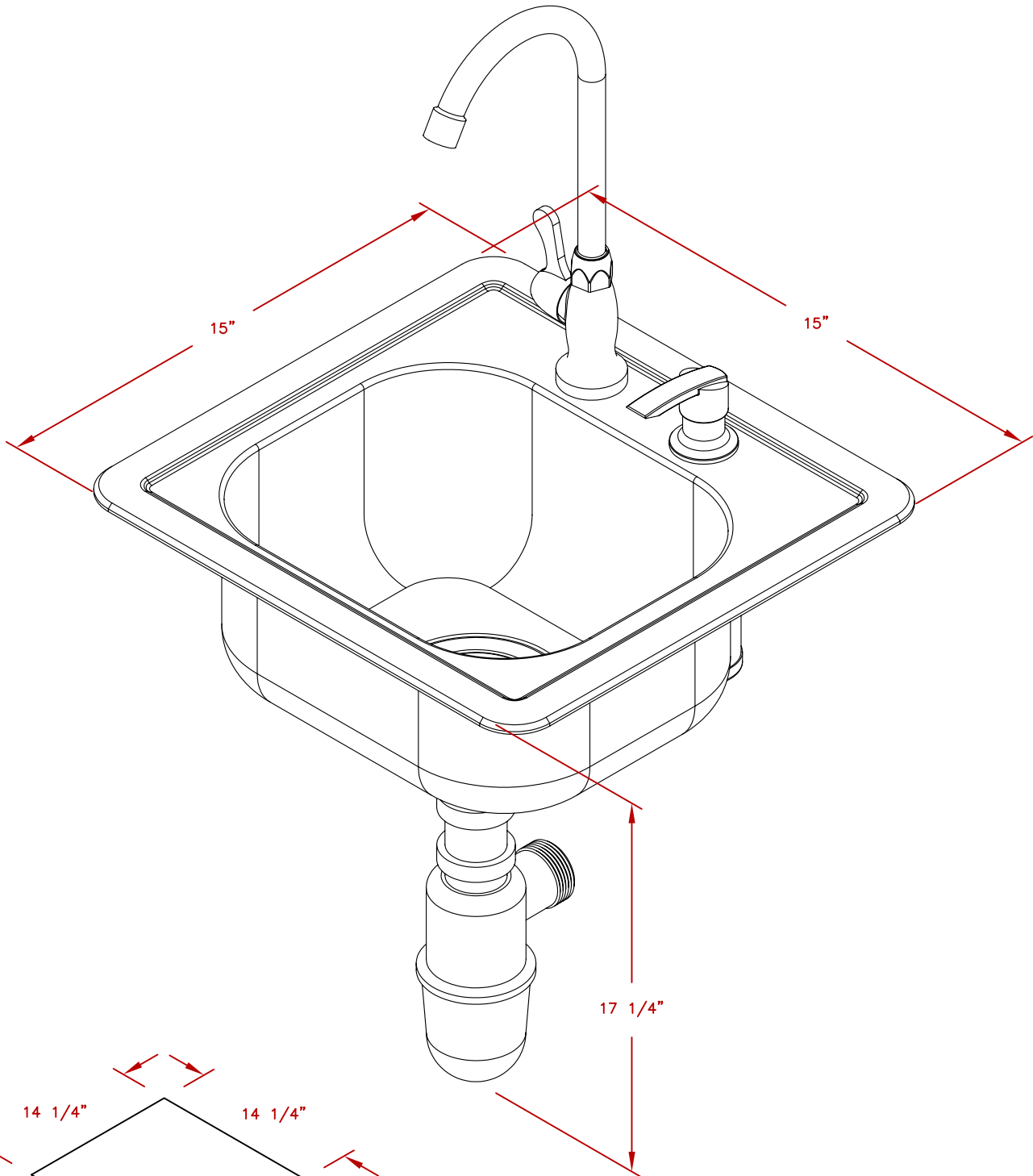


NOTE:
ONE FAUCET INLET ONLY

LINE	BBQ LINE
MODEL	SINK W/ SOAP DISPENSER
NUM	



CUT-OUT
DIMENSIONS



TITLE 2014 BARBECUE LINE ACCESSORIES-DROP IN- SINK W/ SOAP DISPENSER		
SCALE:	DWG NO. BBQ11963	DWG BY S. LINARES
REVISED	REV. DESCR.	DATE 01/01/14

NOTE:
DUE TO OUR CONTINUOUS IMPROVEMENT PROGRAM, ALL MODELS
AND SPECIFICATIONS ARE SUBJECT TO CHANGE WITHOUT NOTICE.